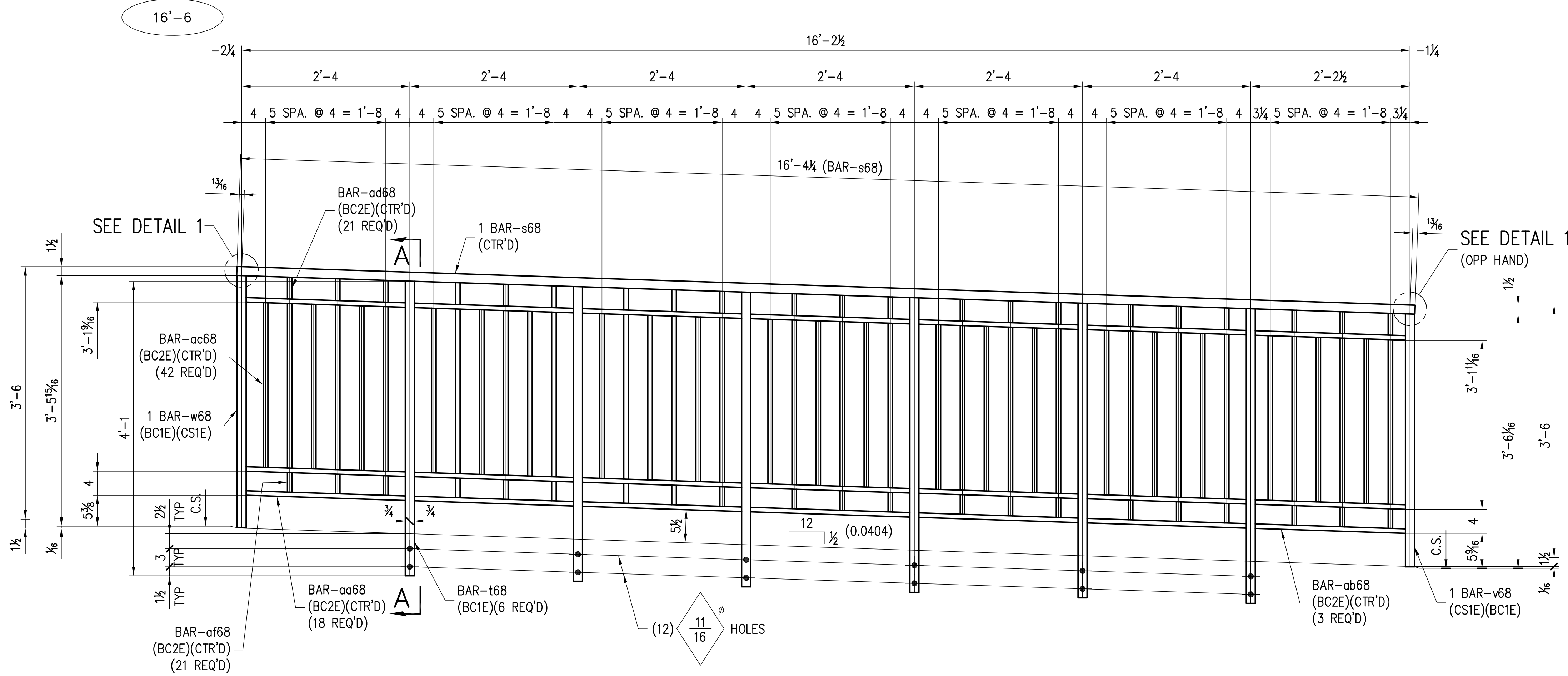
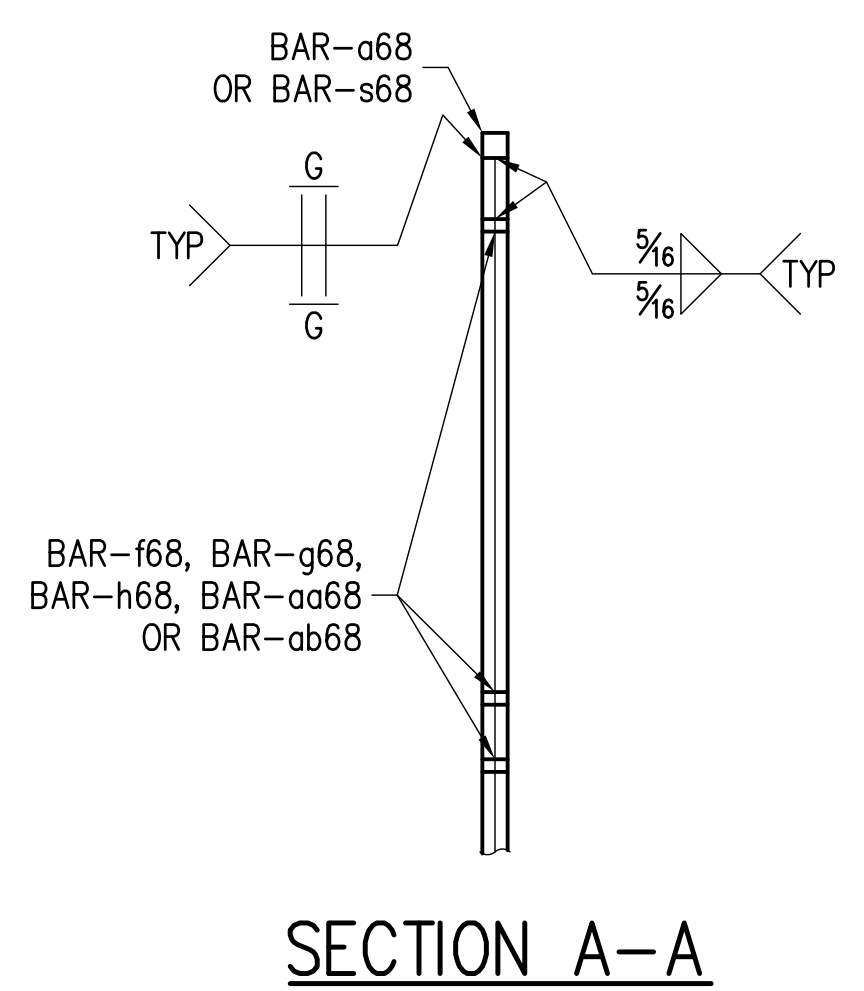


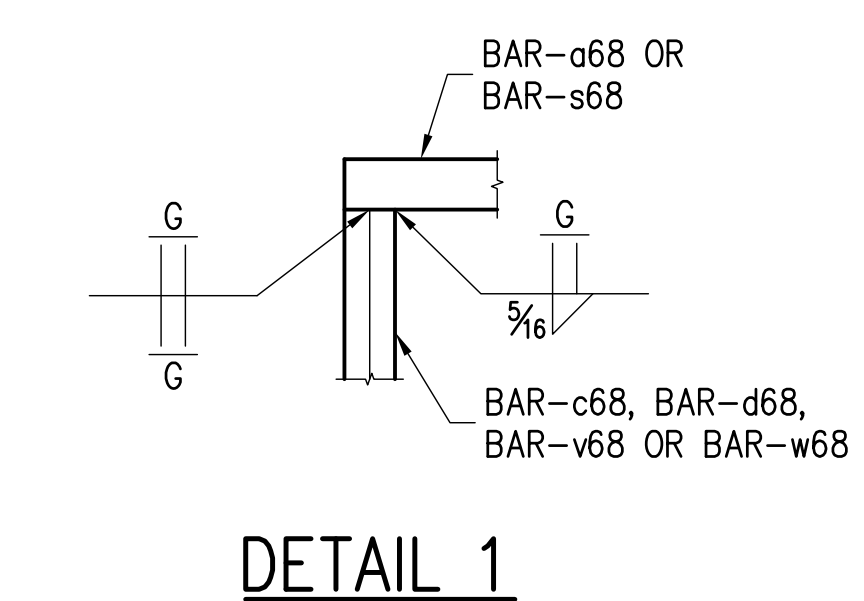
2 - HANDRAILS - 68HR1



2 - HANDRAILS - 68HR2



SECTION A-A



DETAIL 1

LINE	SEQUENCE	SEQ. QUANTITY	TOTAL REQ'D	MARK	DESCRIPTION	LENGTH		REMARKS	ORDERED		
						FT.	IN.		PAGE	LINE	WEIGHT
1				2 68HR1	HANDRAIL						
2				2 o68	BAR 1 1/2 x 1 1/2	20	7 3/4				
3				16 b68	BAR 1 1/2 x 1 1/2	4	1 1/8	BC1E			
4				2 c68	BAR 1 1/2 x 1 1/2	3	9 3/16	CS1E; BC1E			
5				2 d68	BAR 1 1/2 x 1 1/2	3	6 1/8	CS1E; BC1E			
6				42 f68	BAR 1 1/2 x 3/4	2	2 3/8	BC2E			
7				6 g68	BAR 1 1/2 x 3/4	2	0 3/8	BC2E			
8				6 h68	BAR 1 1/2 x 3/4	1	10 3/8	BC2E			
9				106 k68	BAR 3/4 x 3/4	2	3 3/8	BC2E			
10				54 m68	BAR 3/4 x 3/4	0	3 3/8	BC2E			
11				54 p68	BAR 3/4 x 3/4	0	3 3/4	BC2E			
12											
13				2 68HR2	HANDRAIL						
14				2 s68	BAR 1 1/2 x 1 1/2	16	4 1/4				
15				12 t68	BAR 1 1/2 x 1 1/2	4	1 1/8	BC1E			
16				2 v68	BAR 1 1/2 x 1 1/2	3	6 1/8	CS1E; BC1E			
17				2 w68	BAR 1 1/2 x 1 1/2	3	6	CS1E; BC1E			
18				36 aa68	BAR 1 1/2 x 3/4	2	2 3/8	BC2E			
19				6 ab68	BAR 1 1/2 x 3/4	2	1 1/8	BC2E			
20				84 ac68	BAR 3/4 x 3/4	2	3 3/8	BC2E			
21				42 ad68	BAR 3/4 x 3/4	0	3 3/8	BC2E			
22				42 af68	BAR 3/4 x 3/4	0	3 3/4	BC2E			
23											
24											
25											
26											
27											
28											
29											
30											
31											
32											
33											
34											
35											
36											
37											
38											
39											
40											
41											
42											
43											
44											
45											
46											
47											
48											
49											
50											
51											
52											
53											
54											
55											
56											
57											
58											
59											
60											

SHOP NOTES