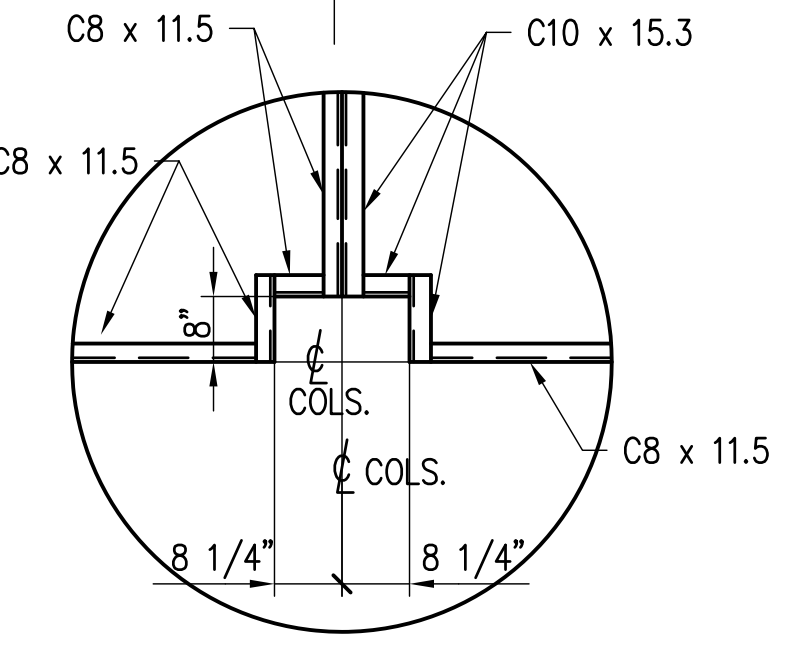
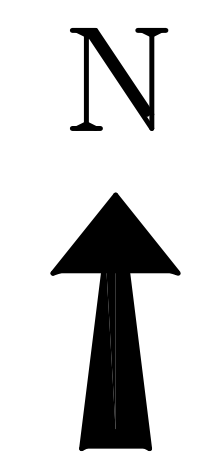


MEZZANINE #1 FRAMING PLAN

WORK THIS DRAWING WITH E1 & E2
 (SHOWS HEADER ARRANGEMENT)
 TOP OF STEEL ELEVATION = 11'-10" U.N.O.



TYP. DETAIL Z

LEGEND

- ⊠ = HANGER LOCATION
- ⊗ = TRUSS PANEL POINT

SHOP NOTES:

- MAT'L - ASTM A36
- HOLES -
- PAINT - (1) COAT CHRYSLER WHITE PRIMER

MATCH LINE THIS DRAWING WITH DRAWING E4

NO. ISSUED FOR	DATE
NO. ISSUED FOR	DATE
PROJECT NO.	SCALE
DRAWING NO.	MFC JOB NO. -
SHEET	DATE